

**POWER YOUR FUTURE**

**Cummins Generator  
FD180CN**

**6CTA 8.3 G2**

**Prime Power: 144KW/180KVA**

**Standby Power: 158.4KW/198KVA**



## **GENERATING POWER SOLUTIONS**

Increased availability for new operations  
Reliable, robust and versatile generator.  
Ready to deliver power for a next job.

Increased uptime during operations  
Once installed on the end-user-site, the generator will be ready to run: "peace of mind" operation.

Reduced transport and installation costs  
The compact and robust design with integrated transport features enables faster and safer transport and installation.

Reduced service & maintenance costs  
Longer service intervals.  
Quicker and more efficient service jobs.

Premium resale value  
Designed and built to last.

### **SAFETY**

- Operate safely in accordance with proper operation manual.
- To prevent trouble and accidents, perform daily and preventive maintenance checks without fail.

## **Cummins Series**

180KVA



### **PT. CIPTA DUA POWER FRANS DIESEL**

Head Office : Jl. MT. Haryono No.19 Balikpapan

No telp : (0542) 878021

Branch Office: Jl. Wijaya Kusuma XII 15 A Samarinda

No telp : (0542) 2089884

Ware House : Komp. Pergudangan Kariangau Balikpapan

Web : [www.fransdieselpower.com](http://www.fransdieselpower.com)

## Technical Data

FD180CN

Model	FD180CN	
Rated prime power	kva	180
Rated standard power	kva	198
Rated voltage line to line	V	400/230
Rated current	A	40
Maximun sound level	dB(@7m)	69

### Engine-DCEC Cummins

Model	6CTA 8.3 G2	
Aspiration	Air natural aspirated	
Fuel system	A type	
No. cylinders	6 in line	
Displacement	Liquid	8.3
Bore*Stroke	mm	114*135
Compression ratio	16.5	
Rated speed	r/min	1500
Rated net power(with fan)	Kw	24
Governor type	Mechanical/Electrical	
Start Motor	V	24

### Exhaust System

Exhaust gas flow	m³/min	
Exhaust gas temp	°C	
Max back pressure	kPa	10

### Aspiration System

Max inlet pressure	kPa	5
Combustion volume	m³/min	1.98
Air flow	m³/min	136

### Fuel System

100% load(Prime power)	L/h	35
75% load(Prime power)	L/h	26.2
50% load(Prime power)	L/h	17.5
Fuel tank capacity	L	125

### Lubrication System

Oil capacity	L	24
Oil consumption	g/kwh	218
Oil pressure	kPa	345
(continuous operation)		

### Cooling System

Coolant capacity	L	21
Thermostat operation range	°C	82-95
Max water temperature	°C	104

### Alternator

Model	FDIESEL	FD180CN
		UCI274G
Phase		3
Voltage	V	400/230
Wiring Type	3 Phase 4 wire, Y type	
Bearing		1
Power factor		0.8
Frequency	Hz	50
Prime power	KVA	180
Exciter Type	Brushless, self-excitation	
Voltage regulation	%	±0.5
Protection Grade		IP 23
Insulation grade		H/H
Altitude	m	1000

### Controller-DEESEA

Model	DSE6120
-------	---------

Protective functions:

- Low oil pressure
- High water temperature
- High/low voltage
- High Engine Temperature and Overspeed.
- Voltage regulator frequency regulator
- Emergency stop
- Start failure



### Control Module Options



- Auto generator control module
- Control module with " Three Remote Control" functions
- ATS auto load transfer screen
- Synchronising control modules
- Power output cabinet

### Standard Features

- Engine(DCEC Cummins)
- Radiator 50°C max,fans are driven by be
- 24V charge alternator
- Alternator: single bearing alternator IP23, insulation class H/H
- Standard auto control system
- One set of air filter, fuel filter, oil filter
- Main line circuit breaker/MCCB
- Base fuel tank
- Two 24V batteries, rac and cable
- Exhaust system(Ripple flex exhaust pipe, exhaust siphon, flange, muffler)
- User manual

### Options

- Battery charge
- Engine heater
- Alternator heater
- PMG
- Water oil separator
- Daily fuel tank
- Remote control panel
- Automatic transfer switch/ATS
- Switch box

Standard: Options:

### Warranty\*

#### Cummins Engine

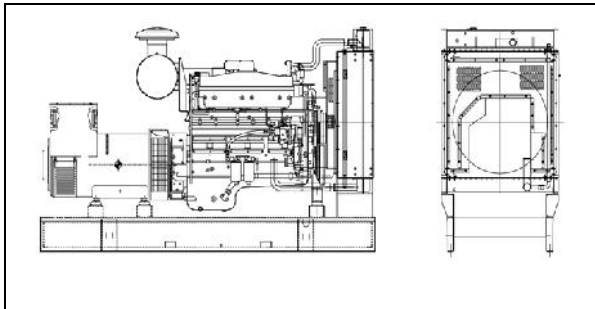
12 months from date of purchase and 1000 hours.

#### Generator

12 months from date of purchase or 1000 hours (whichever occurs first).

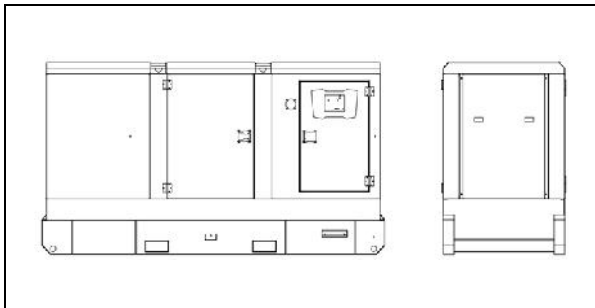


### Unit Dimensions(Basic unit)



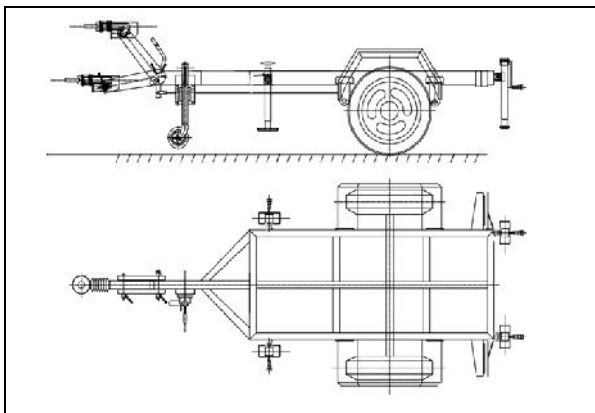
#### Open Type

L*W*H	mm	2400*930*1540
Weight	kg	1500



#### Silent Type

L*W*H	mm	3480*1250*1750
Weight	kg	2200



#### Trailer Option

L*W*H	mm	3518*2187*1190
Max loading weight	kg	1925